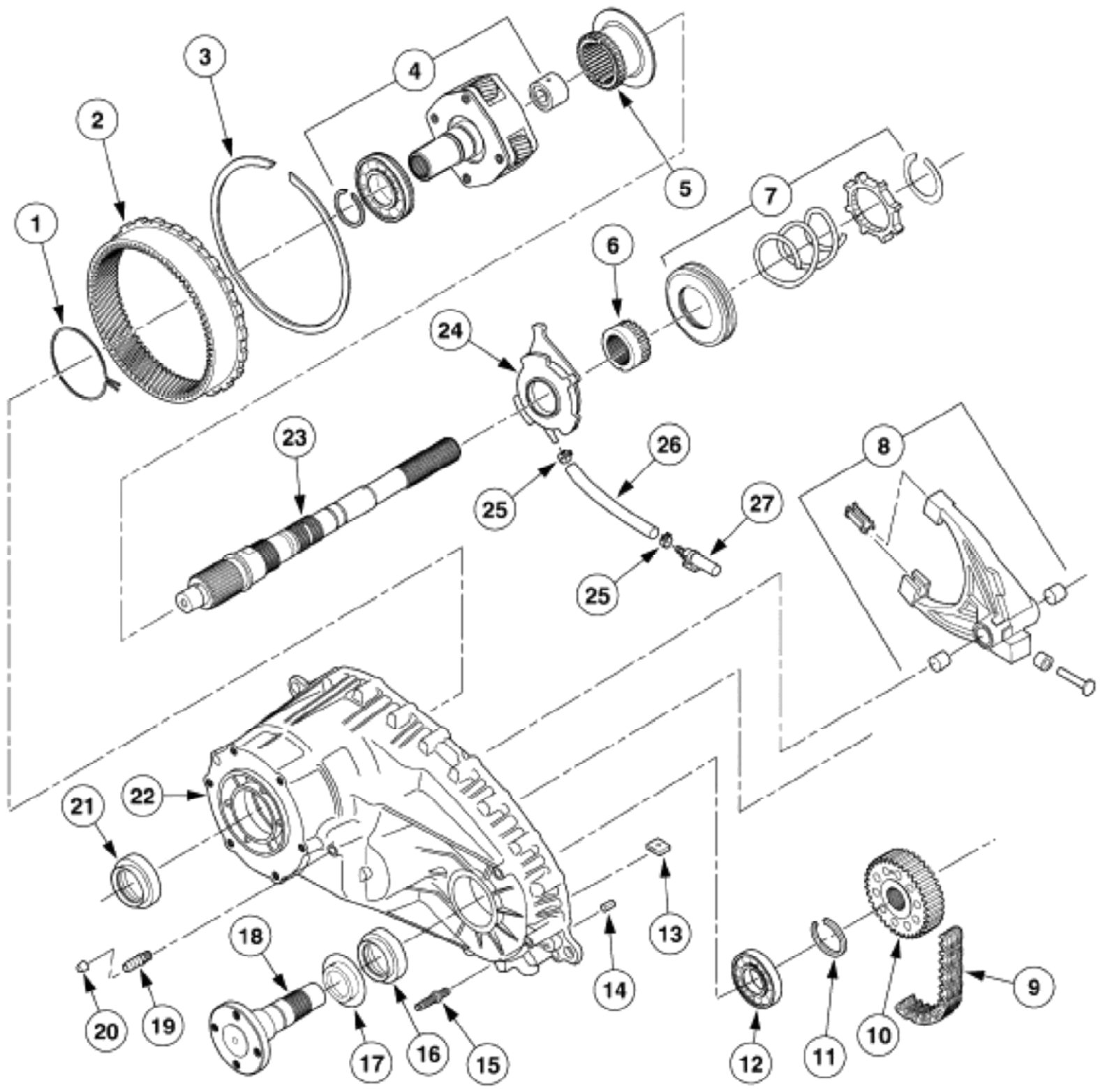


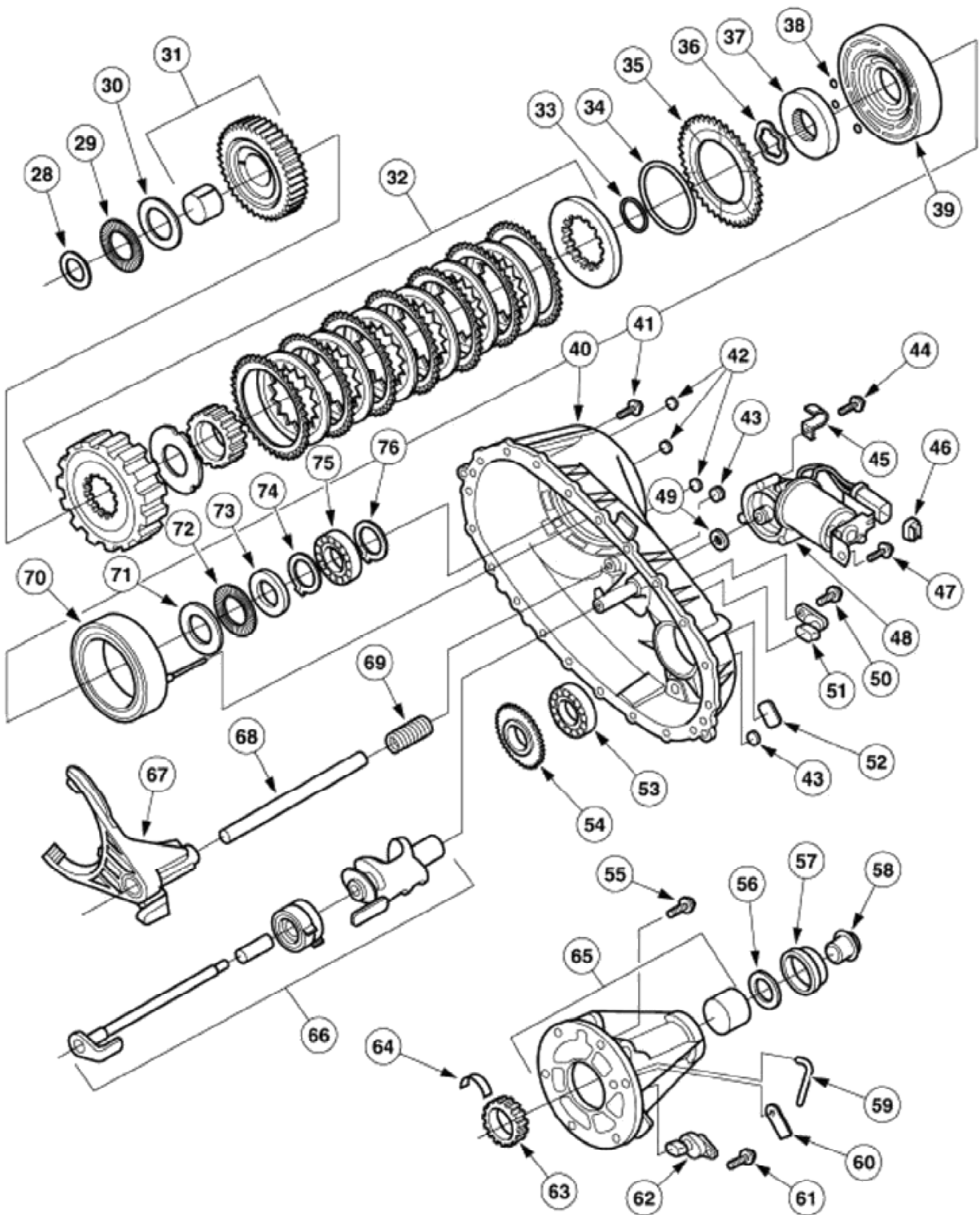
- | | | |
|-------------------------------|----------------------------|------------------------------------|
| 1. Snap Ring | 26. Case Dowel | 51. Shift Motor (ESOF Only) |
| 2. Ring Gear | 27. Case Stud | 52. Clip (ESOF Only) |
| 3. Snap Ring | 28. Oil Seal | 53. Motor Bolt (ESOF Only) |
| 4. Front Planet | 29. Oil Slinger | 54. Spacer (ESOF Only) |
| 5. Needle Bearing | 30. Front Output Shaft | 55. Motor Bolt (ESOF Only) |
| 6. Bushing | 31. 4WD Switch (MSOF Only) | 56. Shifter Shaft Seal (ESOF Only) |
| 7. Pump Assembly | 32. Breather | 57. I.D. Label |
| 8. Drive Sprocket | 33. Oil Seal | 58. Case Plug |
| 9. Lock-Up Collar | 34. Front Case | 59. Bearing |
| 10. Spring | 35. Input Snap Ring | 60. Spacer |
| 11. Lock-Up Hub | 36. Bearing | 61. Extension Housing Bolt |
| 12. Hose Clamp | 37. Output Shaft | 62. Flange Seal |
| 13. Oil Feed Hose | 38. Reduction Hub | 63. Case Stud |
| 14. Lube Pick-Up & Filter | 39. Spring | 64. Speedometer Isolator Plate |
| 15. Detent Spring (MSOF Only) | 40. Armature | 65. Wire Housing |
| 16. Detent Roller (MSOF Only) | 41. Snap Ring | 66. I.D. Tag |
| 17. Shift Lever (MSOF Only) | 42. Hub & Coil Housing | 67. Speedometer Gear Spacer |
| 18. Oil Seal (MSOF Only) | 43. Snap Ring | 68. Speedometer Gear |
| 19. Shift Bolt (MSOF Only) | 44. Coil | 69. Ball |
| 20. Shift Cam (MSOF Only) | 45. Bearing | 70. Extension Housing |
| 21. Driven Sprocket | 46. Snap Ring | 71. Shift Shaft |
| 22. Drive Chain | 47. Rear Case | 72. Shift Rail |
| 23. Snap Ring | 48. Case Bolt | 73. Lock-Up Fork Spring |
| 24. Bearing | 49. Case Nut | 74. Lock-Up Fork |
| 25. Case Magnet | 50. Case Plug | 75. Reduction Shift Fork |
| | | 76. Shift Fork Pad |

G98101032

MSOF = Manual Shift on the fly
 ESOF = Electronic Shift on the fly



G03444728



Item	Part Number	Description
1	7917	Snap ring
2	7A153	Ring gear
3	7064	Snap ring
4	7A398	Front planet
5	7100	Reduction hub
6	7D164	Output shaft hub
7	7106	Lockup collar and assy
8	7289	Reduction shift fork assy
9	7A029	Drive chain assy
10	7177	Driven sprocket
11	7917	Snap ring
12	7025	Bearing (front output shaft support)
13	7L027	Oil pan magnet
14	—	Alignment dowel (part of 7005)
15	7C207	Transfer case stud
16	7B215	Oil seal
17	7C016	Dust shield
18	7061	Front output shaft with dust shield
19	7034	Vent
20	—	Cap (part of 7034)
21	—	Oil seal (part of 7005)
22	7005	Case
23	7061	Output shaft
24	7A149	Oil pump assy
25	—	Hose clamp (part of 7A098)
26	9324	Hose
27	7A098	Oil pickup and filter
28	7C341	Thrust washer (bearing race)
29	7D221	Thrust bearing
30	7C341	Thrust washer (bearing race)
31	7177	Drive sprocket assy
32	7C108	Clutch pack assy
33	7917	Snap ring
34	7Z104	Insulator washer
35	7H150	Clutch pack plate (hold armature)
36	7E085	Wave spring
37	7R428	Cam
38	7A534	Balls (cam/coil assy)
39	7G362	Cam/coil housing
40	7005	Case (rear half)
41	7A443	Bolt (transfer case) — (20)
42	N620480S2	Coil nuts
43	7A010	Case plug
44	N800670S	Wire loom/electric shift motor bolt
45	—	Wire loom hold-down (part of 7G360)
46	—	Wire connector spacer (part of 7G360)
47	7A443	Bolt (electric shift motor)

48	7G360	Transfer case shift motor
49	7288	Shifter shaft seal
50	7A443	Bolt (front output shaft speed sensor)
51	7F293	Front output shaft speed sensor
52	—	Bar code label (part of 7005)
53	7025	Bearing
54	7G450	Front output shaft tone wheel
55	7A443	Bolt (extension housing)
56	—	Sealing ring (packing for shipping) (part of 7085)
57	—	Oil seal (part of 7005)
58	—	Shipping plug (part of 7005)
59	—	Convolute wire (part of 7085)
60	—	Identification plate (part of 7085)
61	7A443	Bolt (front output shaft speed sensor)
62	7F293	Output shaft speed sensor
63	7G450	Tone wheel (output shaft)
64	17291	Tone wheel spacer
65	7085	Extension housing assy
66	7F063	Shift cam assy
67	7289	Lockup fork
68	7240	Shift fork shaft
69	7219	Lockup shift fork spring
70	7G361	Coil
71	7Z111	Thrust bearing race (thin)
72	7D221	Thrust bearing
73	7A387	Thrust bearing race (thick)
74	7917	Snap ring
75	7025	Bearing (output shaft support)
76	7917	Snap ring