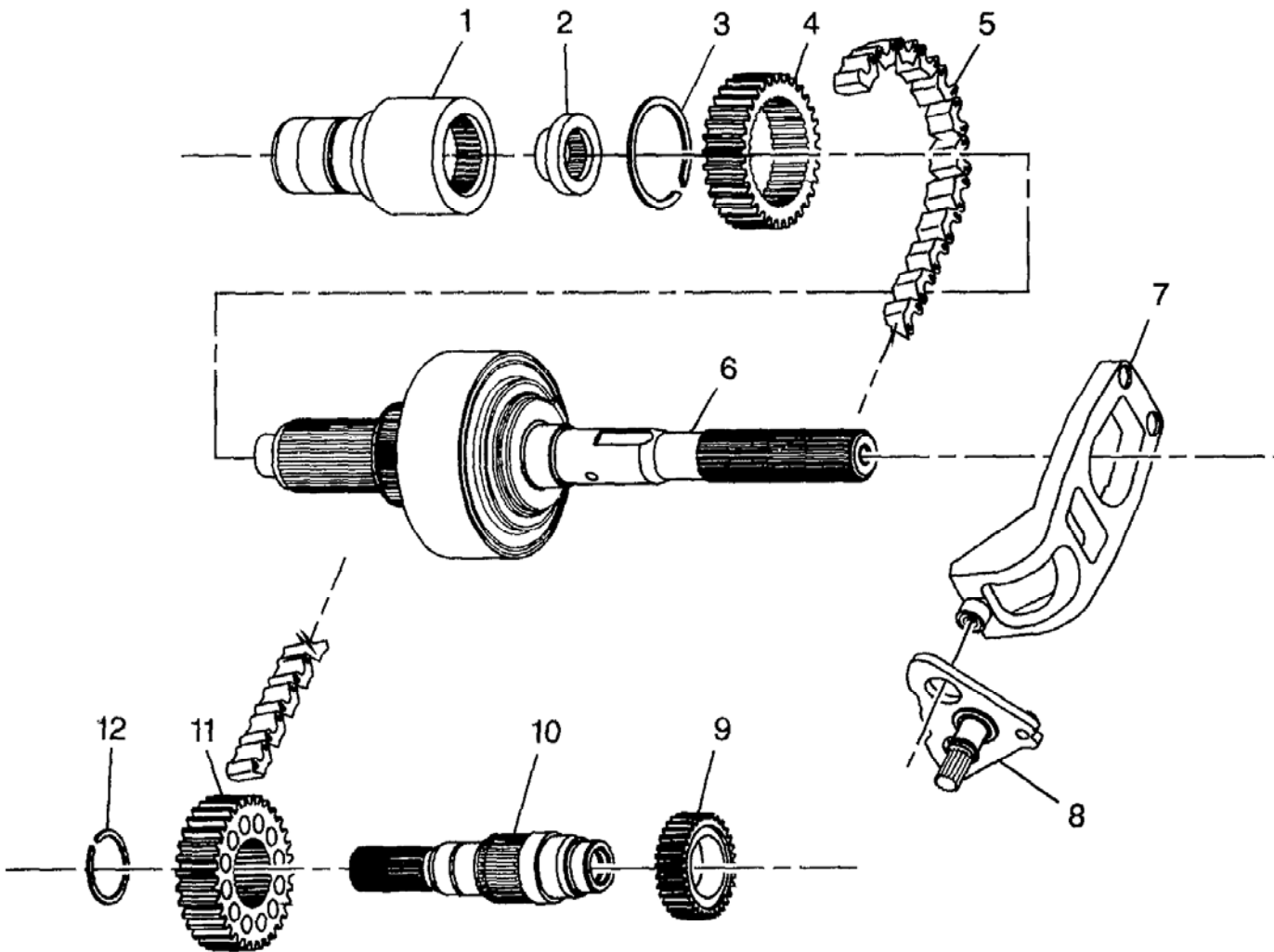
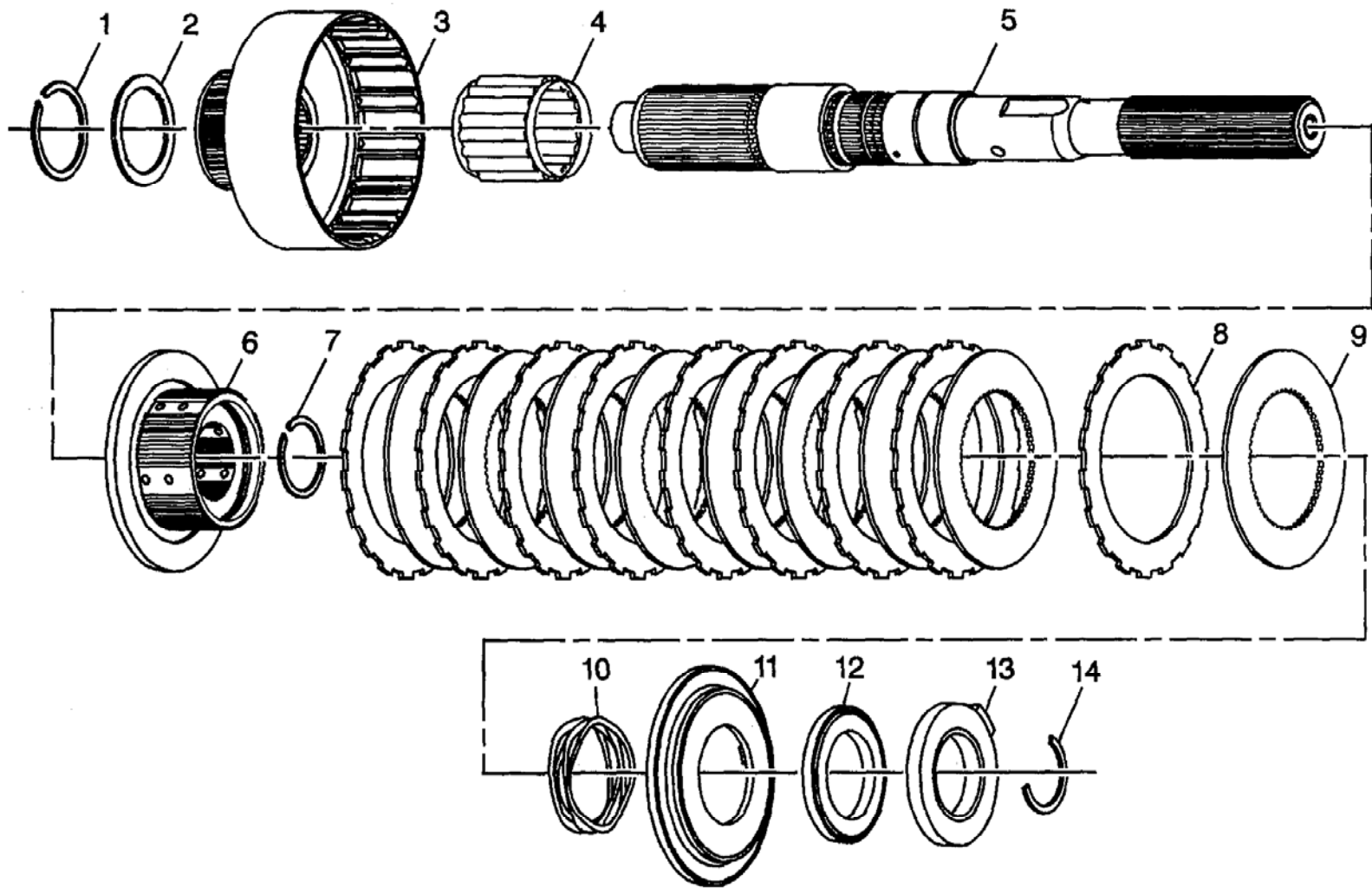


- | | |
|------------------------------|--|
| (1) Adapter Stud | (25) Oil Pump Driven Gear |
| (2) Input Shaft Seal | (26) Encoder Motor Bolt |
| (3) Front Case Half | (27) Encoder Motor |
| (4) Location Pin | (28) Location Pin |
| (5) Front Input Bearing | (29) Actuator Lever Shaft Retaining Ring |
| (6) Rear Output Rear Bearing | (30) Actuator Lever Shaft Bearing |
| (7) Control Lever Studs | (31) Chip Collector Magnet |
| (8) Vent Pipe | (32) Front Output Shaft Rear Bearing |
| (9) Rear Case Half | (21) Output Shaft Speed Reluctor Wheel |
| (10) Location Pin | (22) Oil Pump Cover Bolt |
| (11) Wiring Harness Bracket | (23) Oil Pump Cover |
| (12) Case Half Bolt | (24) Oil Pump Drive Gear |
| (13) Oil Fill Plug | (33) Oil Pump Suction Pipe Seal O-Ring |
| (14) Bracket | (34) Oil Pump Suction Pipe |
| (15) Oil Drain Plug | (35) Oil Pump Suction Hose |
| (16) Rear Output Shaft Seal | (36) Oil Pump Screen |
| (17) Rear Extension Bushing | (37) Front Output Shaft Front Bearing |
| (18) Rear Extension Bolt | (38) Front Output Shaft Dust Seal |
| (19) Rear Extension | (39) Front Output Shaft Ring |
| (20) Vehicle Speed Sensors | (40) Front Output Shaft Seal |



- | | |
|-----------------------------------|---|
| (1) Input Shaft Gear | (7) Clutch Lever |
| (2) Input Gear Thrust Bearing | (8) Control Actuator Lever Shaft |
| (3) Drive Sprocket Retaining Ring | (9) Front Output Shaft Speed Reluctor Wheel |
| (4) Drive Sprocket | (10) Front Output Shaft |
| (5) Drive Chain | (11) Driven Sprocket |
| (6) Rear Output Shaft | (12) Driven Sprocket Retaining Ring |



- | | |
|-------------------------------------|---|
| (1) Clutch Retaining Ring | (9) Clutch Pressure Plate - Inner |
| (2) Rear Output Shaft Thrust Washer | (10) Clutch Spring |
| (3) Clutch Housing | (11) Clutch Pressure Plate - Apply |
| (4) Clutch Housing Bearing | (12) Clutch Pressure Plate Bearing |
| (5) Rear Output Shaft | (13) Clutch Inner Plate |
| (6) Clutch Hub | (14) Clutch Pressure Plate Bearing Hub Retaining Ring |
| (7) Clutch Retaining Ring | |
| (8) Clutch Pressure Plate - Outer | |