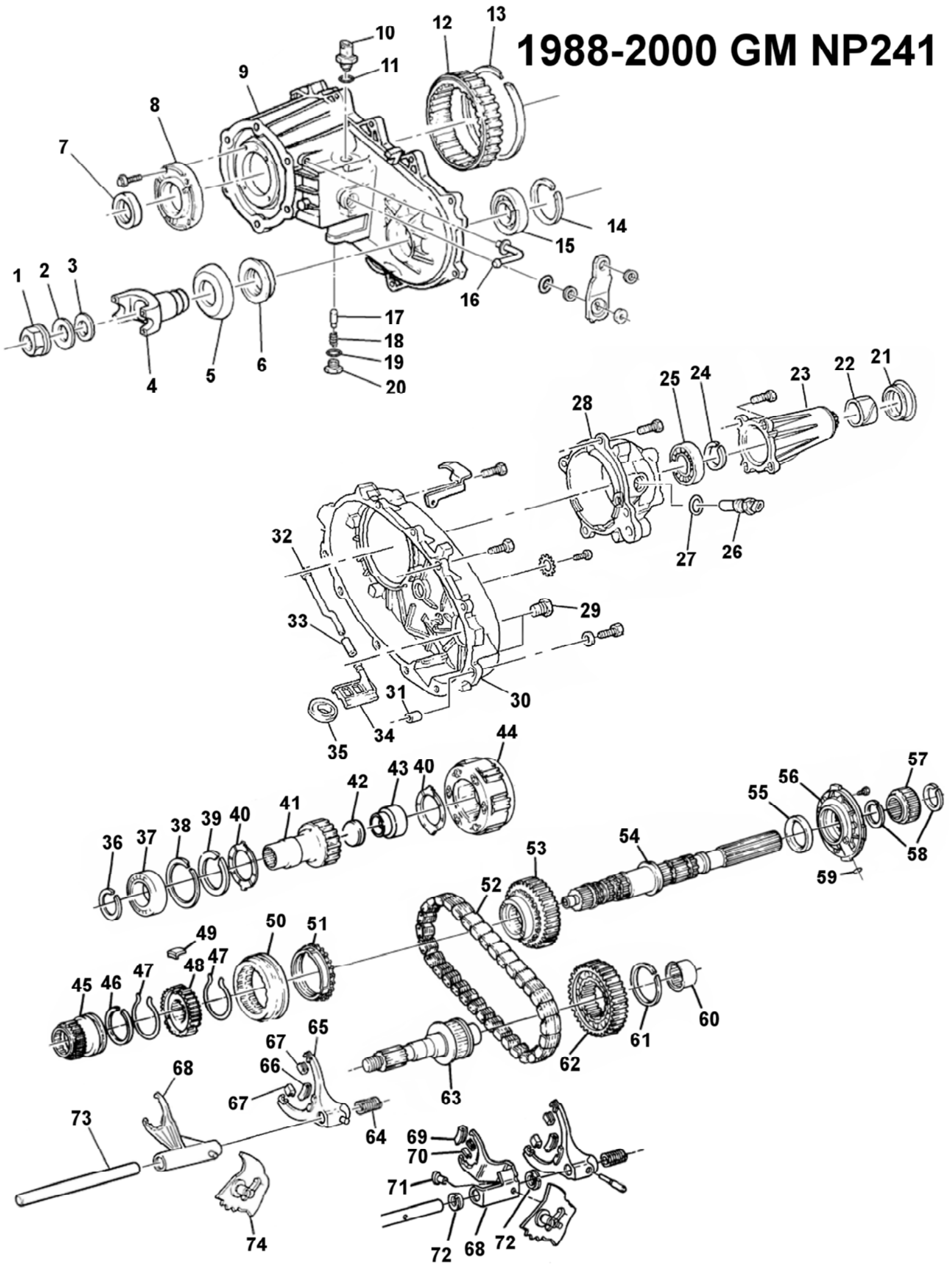


1988-2000 GM NP241



1988-2000 GM NP241

Item #	Description	Application	Notes	Dodge Part#	GM Part#	ZBAG Part#
1.	Front output yoke nut					Call
2.	Front output yoke washer					Call
3.	Front output yoke rubber washer					Call
4.	Front output yoke					Call
5.	Front output yoke dust shield					Call
6.	Front output seal		2.754" x 1.875" x .5"			CR18771
7.	Input seal		2.69" x 1.938" x .5"		12547466	CR4435
8.	Input seal retainer				15547399	Call
9.	Front case half	1988-91 Blazer/Suburban	Passenger side front output shaft		15546586	GM15546586
		1988-91 K truck	Driver side front output shaft		15547374 15664901 15619496	GM15547374
		1992-2000 K truck 1992-99 Blazer/Suburban	Driver side front output shaft		15662252	Call
10.	Shift indicator switch					Call
11.	Shift indicator switch gasket					Call
12.	Annulus gear					Call
13.	Annulus gear snap ring	1992-2000 K truck 1992-99 Blazer/Suburban			14037953	Call
14.	Front output bearing snap ring					Call
15.	Front output front bearing					6207N
16.	Vent tube				89059625	17988
17.	Detent plunger	1988-91 Blazer/Suburban 1988-89K	Small		15547383	GM15547383
		1990-2000 K truck 1992-99 Blazer/Suburban	Large	53008217	15633556	NP53008217
18.	Detent spring	1988-91 Blazer/Suburban 1988-89K	Small		15547384	GM15580210
		1990-2000 K truck 1992-99 Blazer/Suburban	Large	53008218	15636639 15633557	NP53008218
19.	Detent plug gasket/O-ring	1988-91 Blazer/Suburban 1988-89 K	Small		15547385	Call
		1990-2000 K truck 1992-99 Blazer/Suburban	Large		14071849	Call
20.	Detent plug	1988-91 Blazer/Suburban 1988-89K	Small		3975717	GM15580211
		1990-2000 K truck 1992-99 Blazer/Suburban	Large	4886473AA	12547642 15633558	NP4886473AA
21.	Rear output seal		2.7" x 1.886" x .55"			CR18992
22.	Tail bushing		17475		15665313	WT297-62
23.	Tail housing					Call
24.	Rear mainshaft snap ring					1300-139-027
25.	Rear mainshaft bearing					6207N
26.	Speed sensor					Call
27.	Speed sensor O-ring					Call
28.	Rear bearing retainer	1988-89 Blazer/Suburban	Passenger side front output shaft w/mechanical speedo, 16359		15546617	Call
		1990-91 Blazer/Suburban	Passenger side front output shaft w/electric speedo, 16969		15637038	Call
		1988-2000 K truck 1992-99 Blazer/Suburban	Drivers side front output shaft w/speedo, cast# 21655, 17537	4797551		21654
29.	Drain/fill plug					Call
30.	Rear case half	1988-91 Blazer/Suburban	Passenger side front output shaft		15546616	Call
		1988-2000 K truck 1992-99 Blazer/Suburban	Driver side front output shaft Cast# 16119, use 21653		15547435	21653
31.	Dowel pin					Call
32.	Oil pump tube	1988-91 Blazer/Suburban	Passenger side front output shaft		15546611	Call
		1988-2000 K truck 1992-99 Blazer/Suburban	Drivers side front output shaft	83503523	15547429	NP83503523
33.	Oil tube connector					NP4338944
34.	Oil filter	1988-91 Blazer/Suburban	Passenger side front output shaft			NP4338995
		1988-2000 K truck 1992-99 Blazer/Suburban	Drivers side front output shaft			16217
35.	Magnet					Call
36.	Input bearing to shaft snap ring				6259193	GM6259193
37.	Input bearing	1988-94 K truck 1988-94 Blazer/Suburban	0.94" (24mm) wide			BD50-8
		1995-2000 K truck 1995-99 Blazer/Suburban	0.63" (16mm) wide		89059659	6010N
38.	Planetary snap ring		16243	83503527	15547397	NP83503527
39.	Planetary lock plate				15664905	GM15664905

*** Call for availability on items that do not have a ZBAG part number listed ***

1988-2000 GM NP241

Item #	Description	Application	Notes	Dodge Part#	GM Part#	ZBAG Part#
40.	Planetary thrust washer			5012367AA	12470959	NP5012367AA
41.	Input shaft	1988-94 K truck 1988-94 Blazer/Suburban	700R4/4L60 – 27 spline Wide bearing, 1.5" pocket	433889	15635194	16959
		1988-94 K truck 1988-94 Blazer/Suburban	TH400/4L80 – 32 spline Wide bearing, 1.5" pocket	4338891	15635192	17118
		1995-2000 K truck 1995-99 Blazer/Suburban	700R4/4L60 – 27 spline Narrow bearing, 1.5" pocket			19020
		1995-2000 K truck 1995-99 Blazer/Suburban	TH400/4L80 – 32 spline Narrow bearing, 1.5" pocket		12547998	19019
42.	Input pocket bearing plug		Use NP83503507 bearing			
43.	Input pocket bearing	1992-2000 K truck 1992-99 Blazer/Suburban	Closed end style 1.5" x 1.125"	83503507	12350040	NP83503507
44.	Planetary gear assembly	1988-94 3 pinion	16174	4338901		NP4338901
		1988-94 6 pinion	16550, 16273			NP4338971
		1995-2000 3 pinion	17868	4796903	12384949	NP4796903
		1995-2000 4 pinion	19017, 37424		88984435	19017
		1995-2000 6 pinion	17869, 37425	4797030	88958816	NP4797030
45.	Range hub					19114
46.	Mode hub snap ring					Call
47.	Mode spring			4329524		NP4329524
48.	Mode hub				12472965	24271
49.	Mode key			4746137	14037972	GM14037972
50.	Mode sleeve					17823
51.	Mode synchronizer ring		15547	4329526	14071703	NP4329526
52.	Drive chain		1.25" wide, 36 links			HV025
53.	Drive sprocket	1988-94 K truck 1988-94 Blazer/Suburban	Uses needle bearing under sprocket, small blocker	4338987	15547414	NP4338987
		1995-2000 K truck 1995-99 Blazer/Suburban	No needle bearing under sprocket		12548000	17711
	Drive sprocket needle bearing					HK5020
54.	Mainshaft	1988-94 GM	Uses needle bearing under the drive sprocket, 1.125" pilot			Call
		1995-2000 GM	No needle bearing under drive sprocket, 1.125" pilot		12547999	GM12547999
55.	Oil pump seal		2.62" x 2.25" x .18"			CR22306
56.	Oil pump		w/32 spline mainshaft			16209
57.	Speedometer tone wheel/gear					Call
58.	Speedometer gear snap ring			4338997	15547434	Call
59.	Oil tube O-ring					NP4338942
60.	Front output rear bearing					SCE2416
61.	Driven sprocket snap ring					Call
62.	Driven sprocket			4746259	14037980	NP4746259
63.	Front output shaft					Call
64.	Mode fork return spring					Call
65.	Mode fork	1988-91 Blazer/Suburban	Passenger side front output shaft Cast# 16342	4778690	15546600	NP4778690
		1988-2000 K truck 1992-99 Blazer/Suburban	Driver side front output shaft must cut rail to match length		15637217	16267
66.	Mode fork center pad					NP4219073
67.	Mode fork side pad					NP4167969
68.	Range fork	1988-91 Blazer/Suburban	Passenger side front output shaft Stamped steel	4338974		NP4338974
		1988-2000 K truck 1992-99 Blazer/Suburban	Driver side front output shaft Cast aluminum			17833R
69.	Range fork center pad		Used w/stamped steel range fork			NP4338376
70.	Range fork side pad		Used w/stamped steel range fork			NP4167969
71.	Range fork pin					Call
72.	Range fork bushing	1988-91	Used w/stamped steel fork	4338919	15547404	GM15547404
73.	Shift shaft					Call
74.	Shift cam	1988-91 Blazer/Suburban	Passenger side front output shaft		15547380	GM15547380
		1988-2000 K truck 1992-99 Blazer/Suburban	Driver side front output shaft		12540002	GM12540002
Not Shown	Bearing kit	1988-94 K truck 1988-94 Blazer/Suburban	0.94" wide input bearing			BK241
		1995-2000 K truck 1995-99 Blazer/Suburban	0.63" wide input bearing			BK241A
	Gasket and seal kit					TSK241
	Adapter gasket					GS100127

*** Call for availability on items that do not have a ZBAG part number listed ***