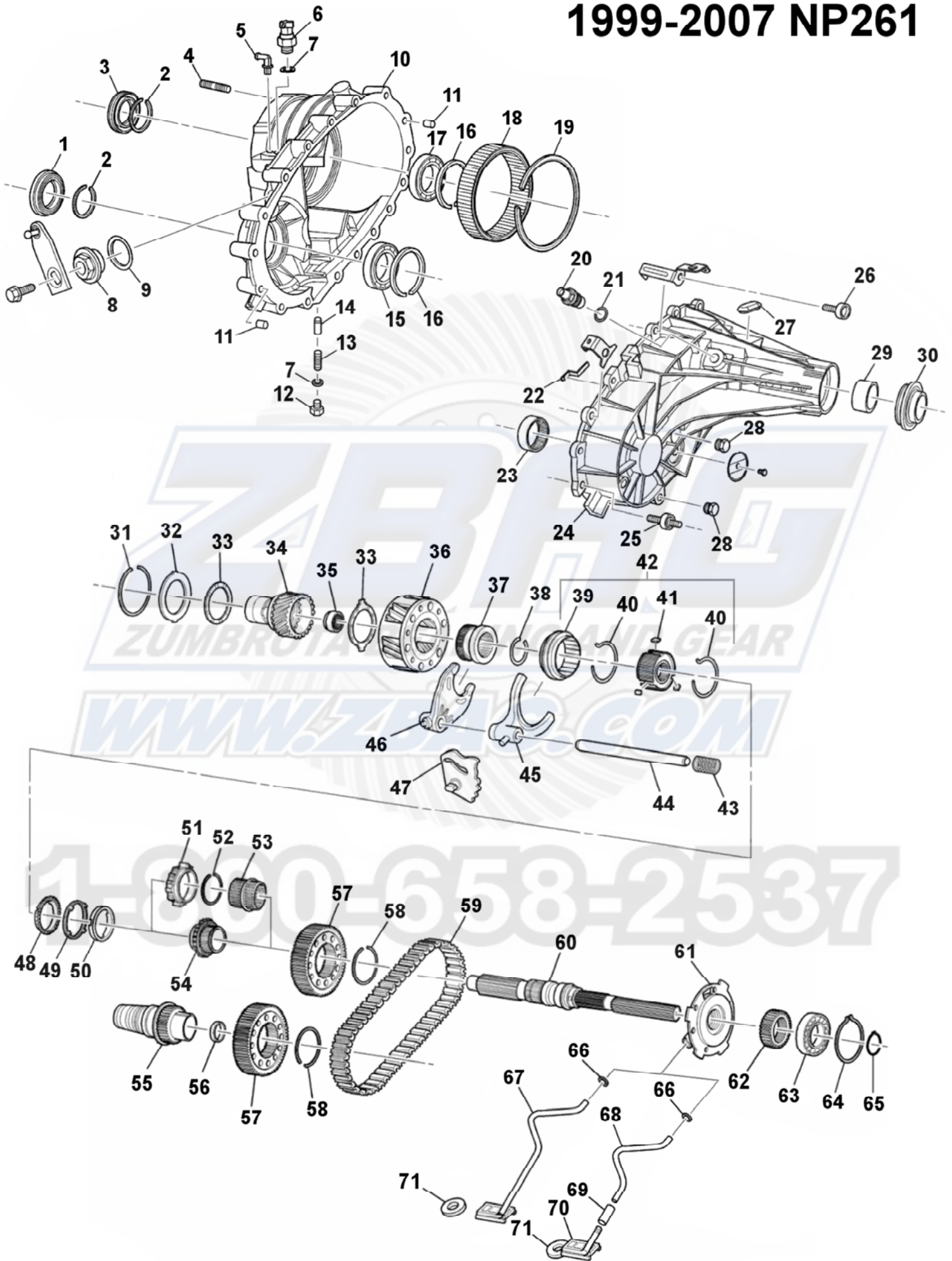


1999-2007 NP261



1999-2007 GM - NP261

| Item # | Description | Application | Notes | NV part # | GM Part# | ZBAG Part# |
|--------|------------------------------------|-------------|--|-----------|----------|-------------|
| 1. | Front output seal | | | 30138 | 12474947 | CR23740 |
| 2. | Snap ring | | | 16442 | 682653 | GM6259193 |
| 3. | Input seal | | | 22441 | 12547466 | CR4435 |
| 4. | Mounting stud | | | 26070 | 12470962 | 26070 |
| 5. | Vent tube | | | 26162 | 12470561 | 26162 |
| 6. | Indicator switch | | | 21971 | 12473227 | 21971 |
| 7. | O-ring | | | 15715 | 14071849 | AS015 |
| 8. | Shift shaft needle bearing/seal | Bearing | Takes two | | | B126 |
| | | Seal | | | | FNJ-16 |
| 9. | Shift shaft housing O-ring | | | | 12473046 | Call |
| 10. | Front case half | LD/HD | w/27 or 32 spline input | 30959 | 12473204 | 30959 |
| | | XHD | w/29 spline input | 21943 | 12478078 | 21943 |
| 11. | Dowel pin | | | 13627 | 14037948 | Call |
| 12. | Detent plug | | | 22511 | 12547642 | Call |
| 13. | Detent spring | | | 17556 | 15636639 | Call |
| 14. | Detent plunger | | | 29781 | 12474072 | 29781 |
| 15. | Front output bearing | | | | 89059659 | 6010N |
| 16. | Snap ring | | | 16442 | 12547465 | Call |
| 17. | Input bearing | LD/HD | w/27 or 32 spline input | | 89059659 | 6010N |
| | | XHD | w/29 spline input | | 9442326 | BD50-8N |
| 18. | Annulus gear | | | | NA | Call |
| 19. | Annulus gear to case snap ring | | | 13863 | 14037953 | Call |
| 20. | Speed sensor | | | 22512 | 12376520 | Call |
| 21. | Speed sensor O-ring | | | | 19133158 | Call |
| 22. | Oil pump clip | | OEM updated style | | 89059653 | GM12470559 |
| | | | Aftermarket case saver plate | | | BRNY4080 |
| 23. | Front output rear bearing | | | 18643 | 12547173 | HK5020 |
| 24. | Rear case half | LD/HD | 32 spline rear output shaft, OEM | 30961 | 12473226 | 30961 |
| | | | Aftermarket aluminum | | | 30603/30961 |
| | | XHD | 31 spline rear output shaft, OEM | 25900 | 12478092 | 25900 |
| | | | Aftermarket aluminum | | | 25900AFT |
| 25. | Case half bolt w/stud | | | 28651 | 12473057 | Call |
| 26. | Case half bolt w/o stud | | | | 88996722 | 246BOLTKIT |
| 27. | Rear case access hole plug | | | 27313 | 12470560 | 5018919AA |
| 28. | Drain/fill plug | | | 30412 | 15032997 | 30412 |
| 29. | Tail bushing | LD/HD | 32 spline output shaft | 17475 | 15665313 | WT297-62 |
| | | XHD | 31 spline output shaft | | 89059588 | NV18172 |
| 30. | Rear seal | LD/HD | 32 spline output shaft | 22507 | 12547638 | CR22507 |
| | | XHD | 31 spline output shaft | 31916 | 12478093 | CR21938 |
| 31. | Planetary snap ring | | | 16243 | 15547397 | NP83503527 |
| 32. | Planetary lock plate | | | 17483 | 15664905 | GM15664905 |
| 33. | Planetary thrust washer | | | 27135 | 12470959 | NP5012367AA |
| 34. | Input shaft | LD | 27 Spline | 45731 | 12384983 | 25890 |
| | | HD | 32 Spline | 42740 | 12384969 | 42740 |
| | | XHD | 29 Spline | 43996 | 12384974 | 43996 |
| 35. | Input pocket bearing | | | 39975 | 88996465 | DB73167 |
| 36. | Planetary gear assembly | LD | 3 pinion | 17868 | 12384949 | NP4796903 |
| | | LD/HD | 4 pinion | 19017 | | 19017 |
| | | HD/XHD | 6 pinion | 17869 | 12547997 | NP4797030 |
| 37. | High/low range hub | LD/HD | | 27761 | 12473218 | 27761 |
| | | XHD | | 43350 | 88958859 | Use 27761 |
| 38. | Mode hub snap ring | | MS has splines on both sides of snap ring | 16205 | 15547419 | NP4338933 |
| | | | MS only has splines on one side of snap ring | 44716 | 88962316 | 44716 |
| 39. | Mode sleeve | | | 26082 | 12472964 | 26082 |
| 40. | Mode spring | | | 15658 | 14071702 | NP4329524 |
| 41. | Mode key | | | 17777 | 14075349 | GM14037972 |
| 42. | Mode synchronizer assembly | | | 50449 | 12477939 | 41061 |
| 43. | Mode fork return spring | | | 16199 | 15547410 | Call |
| 44. | Shift shaft | | | 23748 | 12547661 | Call |
| 45. | Mode fork | | | 27756 | 12473219 | 27756 |
| 46. | Range fork | | | 17833 | 12544310 | 17833 |
| 47. | Shift cam | | | 27092 | 12473215 | Call |
| 48. | Outer synchronizer ring | | | 26081 | 12472963 | 26081 |
| 49. | Center synchronizer ring | | | 21635 | 89059644 | 21635 |
| 50. | Inner synchronizer ring | | | 27722 | 12472961 | 27722 |
| 51. | Drive sprocket hub clutch gear | | | | | Call |
| 52. | Drive sprocket hub snap ring | | | 22451 | 12547477 | Call |
| 53. | Drive sprocket hub two piece style | | | 27721 | | 27721 |
| 54. | Drive sprocket hub one piece style | | | 45109 | 88962335 | GM88962335 |

*** Call for availability on items that do not have a ZBAG part number listed ***

1999-2007 GM - NP261

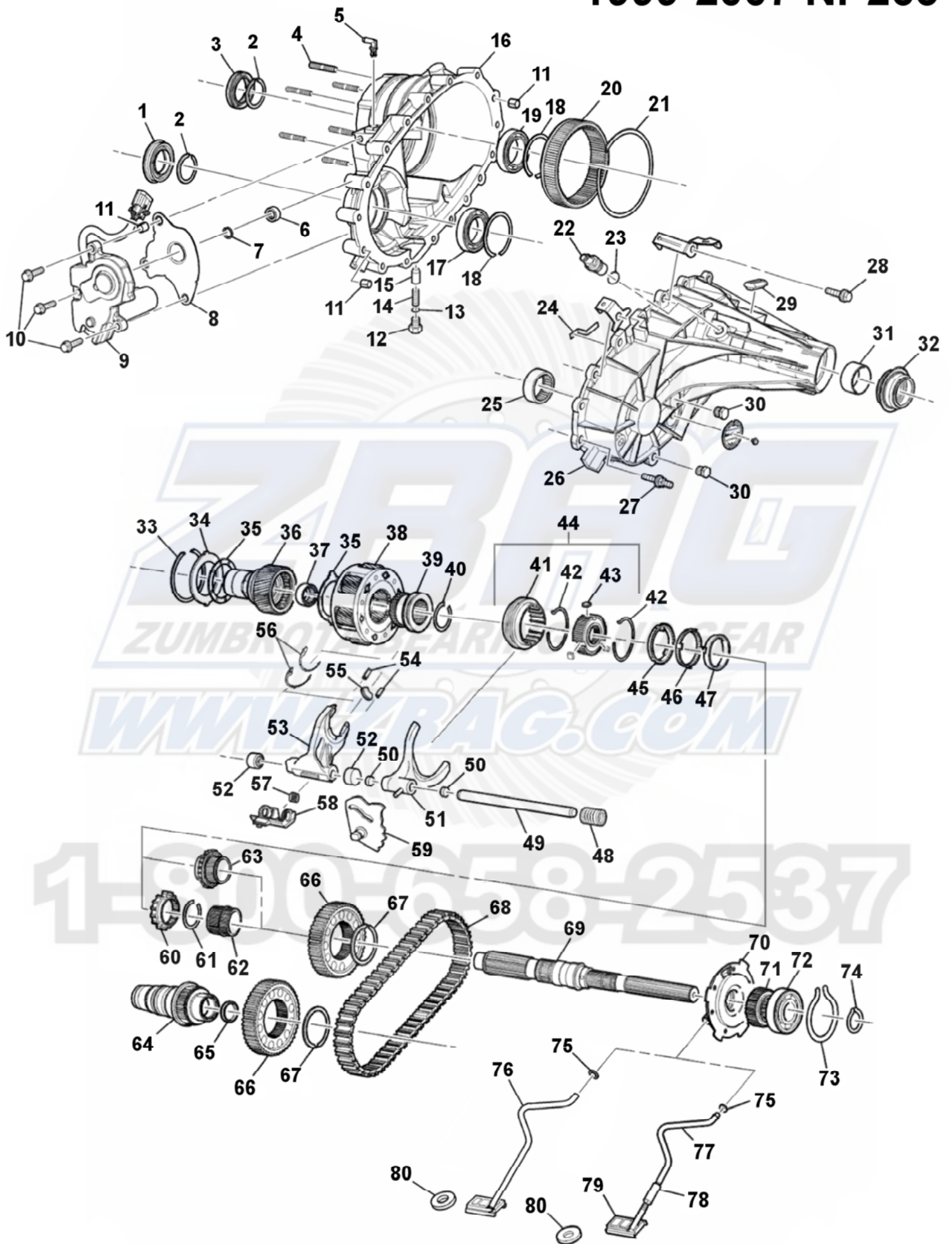
| Item # | Description | Application | Notes | NV part # | GM Part# | ZBAG Part# | |
|-------------------------------------|--|-------------|--|-----------|----------|-------------|-----------|
| 55. | Front output shaft | | | 25847 | 12473222 | 25847 | |
| 56. | Front output shaft plug | | | 26074 | 12473236 | Call | |
| 57. | Drive/driven sprocket | LD | 1.25" wide, 47 tooth, use w/HV072 chain | 31269 | 12474614 | 31269 | |
| | | HD | 1.5" wide, 47 tooth, use w/HV069 chain | 21965 | 12473233 | 21965 | |
| | | XHD | 1.5" wide, 40 tooth, use w/HV074 chain | 40910 | 12478083 | 21966 | |
| 58. | Drive/driven sprocket snap ring | | | 22451 | 12547477 | Call | |
| 59. | Drive chain | LD | 1.25" wide, 49 links | 31534 | 12474602 | HV072 | |
| | | HD | 1.5" wide, 49 links | 22182 | 12473234 | HV069 | |
| | | XHD | 1.5" wide, 42 links | 21967 | 12384954 | HV074 | |
| 60. | Mainshaft | LD/HD | 32 spline output, 38 spline oil pump | 27718 | | 27718 | |
| | | HD | 32 spline output, 49 spline oil pump | 48714 | 88962321 | 48714 | |
| | | XHD | 31 spline output, 49 spline oil pump | 27719 | 88962317 | 47936 | |
| 61. | Oil pump | LD/HD | 38 spline | 16686 | 15547423 | NP4638896 | |
| | | HD/XHD | 49 spline | 25904 | 12478084 | 25904 | |
| 62. | Speed sensor tone wheel | | 38 spline oil pump | 24576 | 12472967 | 24576 | |
| | | | 49 spline oil pump | 25902 | 12478089 | GM12478089 | |
| 63. | Rear mainshaft bearing | LD/HD | 32 spline output shaft | | 19256200 | 6208N | |
| | | XHD | 31 spline output shaft | | 19256201 | B41-6 | |
| 64. | Rear mainshaft bearing to case snap ring | | | 22506 | 12547637 | 22506 | |
| 65. | Rear mainshaft snap ring | LD/HD | 32 spline output shaft | 21969 | 12472966 | 21969 | |
| | | XHD | 31 spline output shaft | 24959 | 12478091 | NP4883597AA | |
| 66. | Oil tube O-ring | | 38 spline oil pump | 16214 | 15547430 | NP4338942 | |
| | | | 49 spline oil pump | 35214 | 12478088 | AS012 | |
| 67. | Oil pickup tube assembly | | Second design, 38 spline oil pump, one piece | | | Call | |
| | | | Second design, 49 spline oil pump, one piece | | 88962338 | Call | |
| 68. | Oil pickup tube | | First design, 38 spline oil pump | 37156 | 12477899 | Call | |
| | | | First design, 49 spline oil pump | 35212 | 88962338 | 35212 | |
| 69. | Oil filter coupler | | First design, 38 spline oil pump | 16218 | | NP4338944 | |
| | | | First design, 49 spline oil pump | | | Call | |
| 70. | Oil filter | | First design, 38 spline oil pump | 16217 | 15547432 | 16217 | |
| | | | First design, 49 spline oil pump | 25502 | 12478085 | 25502 | |
| 71. | Magnet | | | | 12471607 | Call | |
| Not Listed | Bearing kit | LD/HD | w/32 spline output shaft | | | BK371 | |
| | | XHD | w/31 spline output shaft | | | BK371A | |
| | Gasket and seal kit | LD/HD | | | | | TSK261 |
| | | XHD | | | | | TSK261XHD |
| | Small parts kit | | Includes snap rings and O-rings | | | SP261-50 | |
| Front output seal installation tool | | | | | M109R | | |

WWW.ZBAG.COM

1-800-658-2537

*** Call for availability on items that do not have a ZBAG part number listed ***

1999-2007 NP263



1999-2007 GM - NP263

| Item # | Description | Application | Notes | NV part # | GM Part# | ZBAG Part# |
|--------|--|-------------|--|-----------|----------|------------------------|
| 1. | Front output seal | | | 30138 | 12474947 | CR23740 |
| 2. | Snap ring | | | 16442 | 682653 | GM6259193 |
| 3. | Input seal | | | 22441 | 12547466 | CR4435 |
| 4. | Mounting stud | | | 26070 | 12470962 | 26070 |
| 5. | Vent tube | | | 26162 | 12470561 | 26162 |
| 6. | Shift shaft needle bearing/seal | | | 22440 | 12547464 | GM12547464 |
| 7. | Shift shaft needle bearing/seal retainer | | | 16706 | 12662234 | Call |
| 8. | Shift motor gasket | | | 41288 | 12384973 | Call |
| 9. | Shift motor | 1999-2002 | 2 Pin pigtail & 6 pin connector on the motor | | 12478096 | UMM1263 |
| | | 2003-07 | Flat 5 Pin pigtail | | 88962312 | UMM2263 |
| 10. | Shift motor bolts | | | | 25624810 | Call |
| 11. | Dowel pin | | | 13627 | 14037948 | Call |
| 12. | Detent plug | | | 22511 | 12547642 | Call |
| 13. | O-ring | | | 15715 | 14071849 | AS015 |
| 14. | Detent spring | | | 17556 | 15636639 | Call |
| 15. | Detent plunger | | | 29781 | 12474072 | 29781 |
| 16. | Front case half | LD/HD | w/27 or 32 spline input | 45544 | 88996603 | 45544 |
| | | XHD | w/29 spline input | 45545 | 12384976 | 45545 |
| 17. | Front output bearing | | | | 89059659 | 6010N |
| 18. | Snap ring | | | 16442 | 12547465 | Call |
| 19. | Input bearing | LD/HD | w/27 or 32 spline input | | 89059659 | 6010N |
| | | XHD | w/29 spline input | | 9442326 | BD50-8N |
| 20. | Annulus gear | | | | NA | Call |
| 21. | Annulus gear to case snap ring | | | 13863 | 14037953 | Call |
| 22. | Speed sensor | | | 22512 | 12376520 | Call |
| 23. | Speed sensor O-ring | | | | 19133158 | Call |
| 24. | Oil pump clip | | OEM updated style Aftermarket case saver plate | | 89059653 | GM12470559 BRNY4080 |
| 25. | Front output rear bearing | | | 18643 | 12547173 | HK5020 |
| 26. | Rear case half | LD/HD | 32 spline rear output shaft, OEM | 30961 | 12473226 | 30961 |
| | | | Aftermarket aluminum | | | 30603/30961 |
| | | XHD | 31 spline rear output shaft, OEM | 25900 | 12478092 | 25900 |
| | | | Aftermarket aluminum | | | 25900AFT |
| 27. | Case half bolt w/stud | | | 28651 | 12473057 | Call |
| 28. | Case half bolt w/o stud | | | | 88996722 | 246BOLTKIT |
| 29. | Rear case access hole plug | | | 27313 | 12470560 | 5018919AA |
| 30. | Drain/fill plug | | | 30412 | 15032997 | 30412 |
| 31. | Tail bushing | LD/HD | 32 spline output shaft | 17475 | 15665313 | WT297-62 |
| | | XHD | 31 spline output shaft | | 89059588 | NV18172 |
| 32. | Rear seal | LD/HD | 32 spline output shaft | 22507 | 12547638 | CR22507 |
| | | XHD | 31 spline output shaft | 31916 | 12478093 | CR21938 |
| 33. | Planetary snap ring | | | 16243 | 15547397 | NP83503527 |
| 34. | Planetary lock plate | | | 17483 | 15664905 | GM15664905 |
| 35. | Planetary thrust washer | | | 27135 | 12470959 | NP5012367AA |
| 36. | Input shaft | LD | 27 Spline | 45731 | 12384983 | 25890 |
| | | HD | 32 Spline | 42740 | 12384969 | 42740 |
| | | XHD | 29 Spline | 43996 | 12384974 | 43996 |
| 37. | Input pocket bearing | | | 39975 | 88996465 | DB73167 |
| 38. | Planetary gear assembly | LD | 3 pinion | 17868 | 12384949 | NP4796903 |
| | | LD/HD | 4 pinion | | | 19017 |
| | | HD/XHD | 6 pinion | 17869 | 12547997 | NP4797030 |
| 39. | High/low range hub | LD/HD | w/3 piece pad style range fork, 0.323" wide fork slot | 27761 | 12473218 | 27761 |
| | | XHD | w/3 piece pad style range fork, 0.323" wide fork slot | 43350 | 88958859 | Use 27761 |
| | | LD/HD | w/2 piece pad style range fork, 0.373" wide fork slot | 41817 | 12384958 | 41817 |
| | | XHD | w/2 piece pad style range fork, 0.373" wide fork slot | 43681 | 12384962 | 43681 |
| 40. | Mode hub snap ring | | MS has splines on both sides of snap ring | 16205 | 15547419 | NP4338933 |
| | | | MS only has splines on one side of snap ring | 44716 | 88962316 | 44716 |
| 41. | Mode sleeve | | | 26082 | 12472964 | 26082 |
| 42. | Mode spring | | | 15658 | 14071702 | NP4329524 |
| 43. | Mode key | | | 17777 | 14075349 | GM14037972 |
| 44. | Mode synchronizer assembly | | | 50449 | 12477939 | 41061 |
| 45. | Outer synchronizer ring | | | 26081 | 12472963 | 26081 |
| 46. | Center synchronizer ring | | | 21635 | 89059644 | 21635 |
| 47. | Inner synchronizer ring | | | 27722 | 12472961 | 27722 |
| 48. | Mode fork return spring | | | 16199 | 15547410 | Call |
| 49. | Shift shaft | | | 23748 | 12547661 | Call |

*** Call for availability on items that do not have a ZBAG part number listed ***

1999-2007 GM - NP263

| Item # | Description | Application | Notes | NV part # | GM Part# | ZBAG Part# |
|------------|--|-------------|--|-----------|----------|-------------|
| 50. | Mode fork bearing | | | | 12472959 | Call |
| 51. | Mode fork | | | 27756 | 12473219 | 27756 |
| 52. | Range fork bushing | | | | 12478100 | Call |
| 53. | Range fork | | Updated 2 two piece style pad, must also replace the range hub if original fork had 3 piece style pads | 41819 | | 41819 |
| 54. | Range fork side pad | 1999-2004 | For 3 piece pad style fork | | | NP4167969 |
| 55. | Range fork center pad | 1999-2004 | For 3 piece pad style fork | | | NP4219073 |
| 56. | Updated range fork pad | 2004-07 | For 2 piece pad style fork | 37284 | 12384966 | 37284 |
| 57. | Range fork spring | | | | 12478099 | Call |
| 58. | Range fork bracket | | | | 12478098 | Call |
| 59. | Shift cam | | | 45541 | 12384977 | 45541 |
| 60. | Drive sprocket hub clutch gear | | | | | Call |
| 61. | Drive sprocket hub snap ring | | | 22451 | 12547477 | Call |
| 62. | Drive sprocket hub two piece style | | | 27721 | 12473221 | 27721 |
| 63. | Drive sprocket hub one piece style | | | 45109 | 88962335 | GM88962335 |
| 64. | Front output shaft | | | 25847 | 12473222 | 25847 |
| 65. | Front output shaft plug | | | 26074 | 12473236 | Call |
| 66. | Drive/driven sprocket | LD | 1.25" wide, 47 tooth, use w/HV072 chain | 31269 | 12474614 | 31269 |
| | | HD | 1.5" wide, 47 tooth, use w/HV069 chain | 21965 | 12473233 | 21965 |
| | | XHD | 1.5" wide, 40 tooth, use w/HV074 chain | 40910 | 12478083 | 21966 |
| 67. | Drive/driven sprocket snap ring | | | 22451 | 12547477 | Call |
| 68. | Drive chain | LD | 1.25" wide, 49 links | 31534 | 12474602 | HV072 |
| | | HD | 1.5" wide, 49 links | 22182 | 12473234 | HV069 |
| | | XHD | 1.5" wide, 42 links | 21967 | 12384954 | HV074 |
| 69. | Mainshaft | LD/HD | 32 spline output, 38 spline oil pump | 27718 | | 27718 |
| | | HD | 32 spline output, 49 spline oil pump | 48714 | 88962321 | 48714 |
| | | XHD | 31 spline output, 49 spline oil pump | 27719 | 88962317 | 47936 |
| 70. | Oil pump | LD/HD | 38 spline | 16686 | 15547423 | NP4638896 |
| | | HD/XHD | 49 spline | 25904 | 12478084 | 25904 |
| 71. | Speed sensor tone wheel | | 38 spline oil pump | 24576 | 12472967 | 24576 |
| | | | 49 spline oil pump | 25902 | 12478089 | GM12478089 |
| 72. | Rear mainshaft bearing | LD/HD | 32 spline output shaft | | 19256200 | 6208N |
| | | XHD | 31 spline output shaft | | 19256201 | B41-6 |
| 73. | Rear mainshaft bearing to case snap ring | | | 22506 | 12547637 | 22506 |
| 74. | Rear mainshaft snap ring | LD/HD | 32 spline output shaft | 21969 | 12472966 | 21969 |
| | | XHD | 31 spline output shaft | 24959 | 12478091 | NP4883597AA |
| 75. | Oil tube O-ring | | 38 spline oil pump | 16214 | 15547430 | NP4338942 |
| | | | 49 spline oil pump | 35214 | 12478088 | AS012 |
| 76. | Oil pickup tube assembly | | Second design, 38 spline oil pump, one piece | | | Call |
| | | | Second design, 49 spline oil pump, one piece | | 88962338 | Call |
| 77. | Oil pickup tube | | First design, 38 spline oil pump | 37156 | 12477899 | Call |
| | | | First design, 49 spline oil pump | 35212 | 88962338 | 35212 |
| 78. | Oil filter coupler | | First design, 38 spline oil pump | 16218 | | NP4338944 |
| | | | First design, 49 spline oil pump | | | Call |
| 79. | Oil filter | | First design, 38 spline oil pump | 16217 | 15547432 | 16217 |
| | | | First design, 49 spline oil pump | 25502 | 12478085 | 25502 |
| 80. | Magnet | | | | 12471607 | Call |
| Not Listed | Bearing kit | LD/HD | w/32 spline output shaft | | | BK371 |
| | | XHD | w/31 spline output shaft | | | BK371A |
| | Gasket and seal kit | LD/HD | | | | TSK261 |
| | | XHD | | | | TSK261XHD |
| | Small parts kit | | Includes snap rings and O-rings | | | SP261-50 |
| | Front output seal installation tool | | | | | M109R |

*** Call for availability on items that do not have a ZBAG part number listed ***

When installing a new rear case half and case saver on a 261/263 LD/HD and it has the 38 spline oil pump there may be a O-Ring under the oil pump that can cause clearance problems when using a case saver and a new rear case half. To avoid the problem, we recomend using a wavy washer inplace of the O-Ring.

