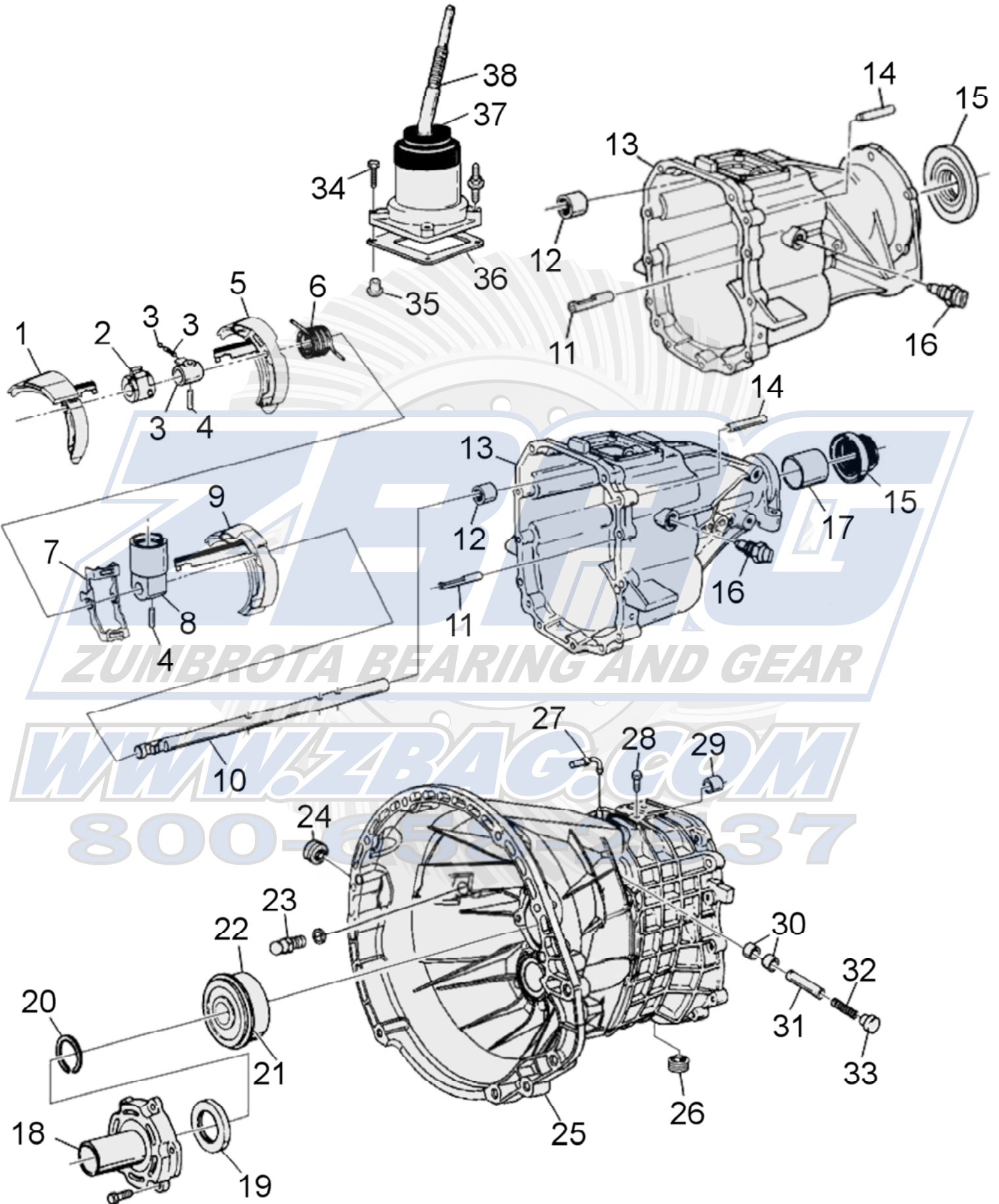
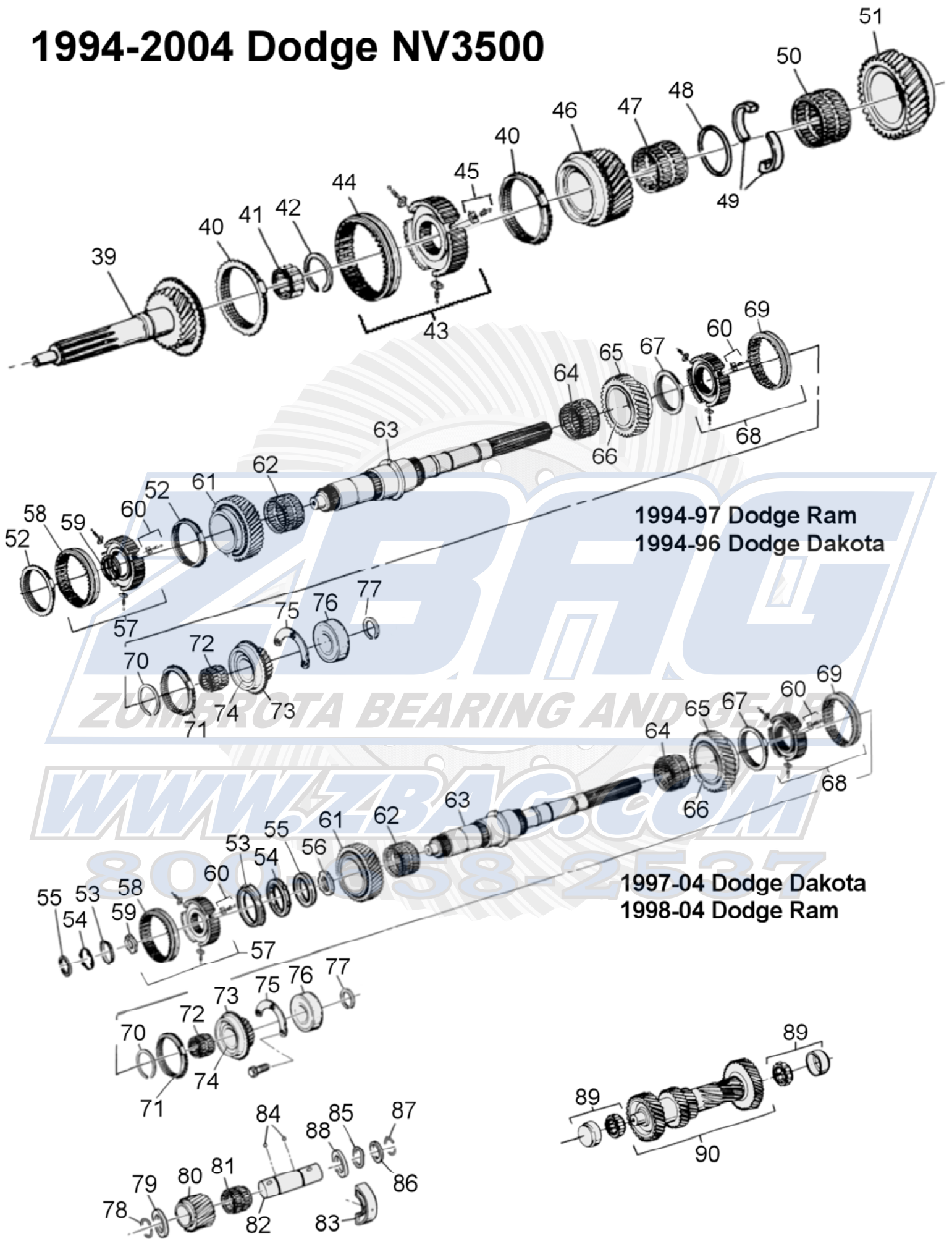


# 1994-2004 Dodge NV3500



# 1994-2004 Dodge NV3500



## Dodge NV3500 - 1994-2004 Dodge R1500/R2500/Dakota

Item #	Description	Application	Notes	Dodge Part#	GM Part#	ZBAG Part#
1.	3-4 Shift fork			5066352AB	88958970	25418
2.	1-2 Shifter lug				8672912	Call
3.	Main shift rail selector		Must also replace the following Selector spring GM14082096 Selector plunger GM12545959			GM12475399
4.	Roll pin		32mm long 22mm long		8672316 12477934	GM8672316 GM12477934
5.	1-2 Shift fork					25420
6.	Bias spring					Call
7.	Bias spring bracket					Call
8.	Shifter socket					Call
9.	5-R Shift fork	1994-2004 Ram 1994-2004 Dakota		4773564 4773563AB 5083104AA	12548126	GM12548126 20047
10.	Main shift rail					Call
11.	Oil tube					Call
12.	Shift rail rear bushing					Call
13.	Tail housing					Call
14.	Dowel pin					Call
15.	Rear seal	1994-2004 Ram/Dakota 4x4 1994-2004 Ram/Dakota 4x2				CR14087 CR16725
16.	Reverse light switch					Call
17.	Tail bushing	1994-2004 Ram/Dakota 4x2				NP2801724
18.	Input retainer					NV3500-6A
19.	Input Seal					CR10290
20.	Input bearing snap ring		Bearing to shaft			Call
21.	Input bearing snap ring		Bearing to case			Call
22.	Input bearing					573305D
23.	Clutch fork pivot stud					Call
24.	Oil fill plug		M24x1.5			Call
25.	Front case half					Call
26.	Oil drain plug		M24x1.5			Call
27.	Vent tube					17988
28.	Shift rail bolt				12540348	GM12540348
29.	Main shift rail front bushing					Call
30.	Shift rail detent bushing					Call
31.	Shift rail detent plunger					Call
32.	Shift rail detent spring					Call
33.	Shift rail detent plug					Call
34.	Shifter stub bolt					GM11509417
35.	Shifter stub bolt spacer					Call
36.	Shifter assembly gasket					Call
37.	Shift tower	1994-97 Ram 1998-2004 Ram 1997-2000 Dakota 2001-04 Dakota		4886197AA 4886199AB CH4886456AA CH5018822AA		Call Call Call Call
38.	Shift lever lock nut					Call
39.	Input Shaft	1994-96 Ram/Dakota 2000-01 Ram/Dakota 1997-99 Ram/Dakota 2001-04 Ram/Dakota	26 tooth 2001 transmission id# 52108100AB (4x2) & 52108101AB(4x4) only 35 tooth 26 tooth, 2 ID lines, NV3550-16 2001 transmission id# 52108100AD(4x2) & 52108101AD(4x4) only	4741294AB 4883472AA 5019723AA 5066238AA		290-16BR 290-16FR J5019723AA
40.	3-4 Synchronizer Ring			4741277	8672050	290-14
41.	Input pocket bearing			4741878	23049686	308-338.KSE
42.	Snap Ring			4741266	8672928	Call
43.	3-4 Synchronizer assembly			4741293AB	8672223 88934829	18130
44.	Synchronizer Sleeve					290-15
45.	Spring and key kit					WT290-K
46.	3rd Gear	1994-96 Ram/Dakota 2000-04 Ram/Dakota 1997-99 Ram/Dakota	30 tooth, 30273, 22352 39 tooth, 24485	4883718AB 8672632 4741292 4874312	88934831 12549364	290-11A Call
47.	3rd Gear needle bearing			4741874	23049697	290-148
48.	2nd gear thrust washer retaining ring		20890	4897922AA	12547384 8672222	Call

\*\*\* Call for availability on items that do not have a ZBAG part number listed \*\*\*

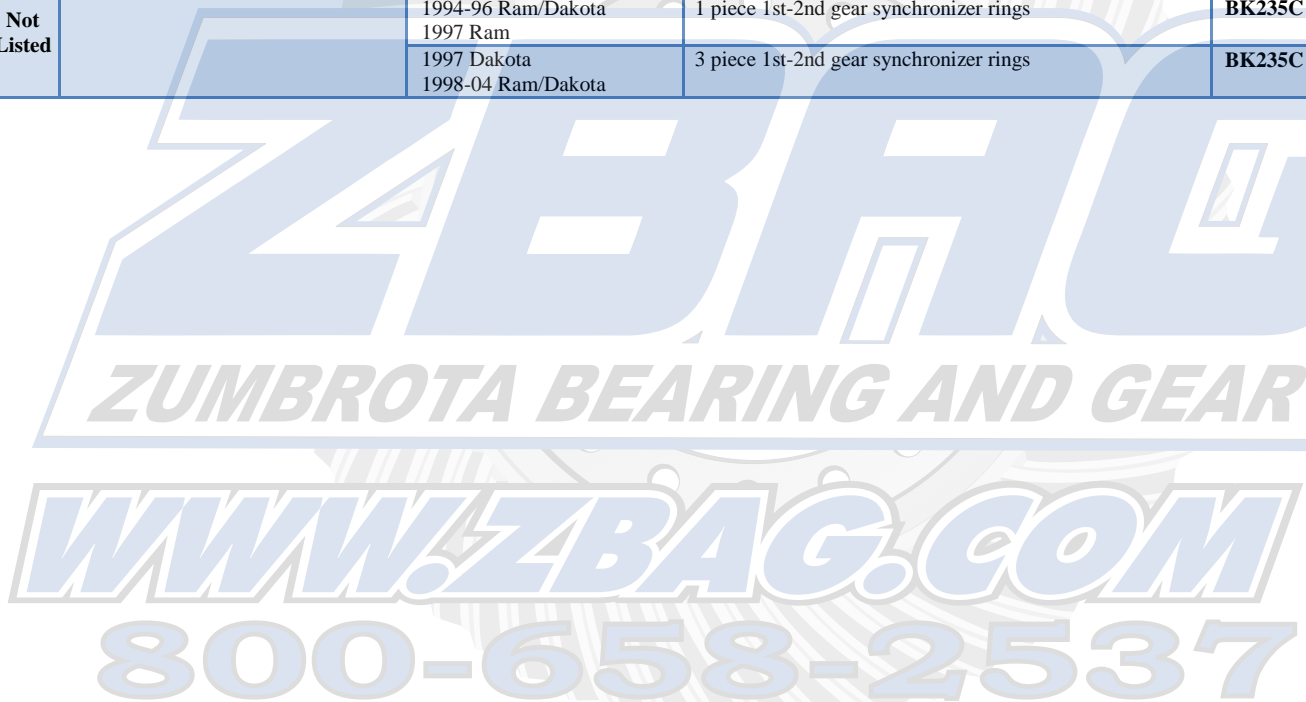
## Dodge NV3500 - 1994-2004 Dodge R1500/R2500/Dakota

Item #	Description	Application	Notes	Dodge Part#	GM Part#	ZBAG Part#
49.	Mainshaft split ring		0.312" thick	4746070 4741289 5019721AA	12549349	Call
50.	2nd Gear needle bearing			4741874	12548468	Call
51.	2nd Gear	1994 Dakota 1995-96 Dakota 4x4 1994-97 Ram	39 tooth non-world class, 2.28" inside diameter	4741291	08672629	290-21
		1998-04 R1500 2000-01 R2500 1997-99 Dakota 4x4 2000-04 Dakota All	world class	4874358AB		Call
		1995-96 Dakota 4x2	Non-world class, w/0.312" thick split ring, 20982	4796805		Call
		1997-99 Dakota 4x2	39 tooth world class, w/0.312" thick split ring	4874357		Call
52.	1-2 Synchronizer ring	1994-96 Ram/Dakota 1997 Ram	non-world class			290-14
53.	1-2 Outer Synchronizer ring	1997 Dakota 1998-04 Ram/Dakota	World class			18831
54.	1-2 Center Synchronizer ring	1997 Dakota 1998-04 Ram/Dakota	World class			21241
55.	1-2 Inner Synchronizer ring	1997 Dakota 1998-04 Ram/Dakota	World class, 18835		12548368	Call
56.	1st Gear inner Synchronizer ring hub	1997 Dakota 1998-04 Ram/Dakota	World class, 18834		12548367	Call
57.	1-2 Synchronizer assembly	1994-96 Ram/Dakota 1997 Ram	non-world class	4741287	8672313 8677860 12540389	18132
		1997 Dakota 1998-04 Ram/Dakota	World class, 34403	88934824 4874356AB	88934824	Call
58.	1-2 Synchronizer sleeve	1994-96 Ram/Dakota 1997 Ram	non-world class			290-15
		1997 Dakota 1998-04 Ram/Dakota	World class			290-15A
59.	1-2 Synchronizer snap ring		variable thickness 2.0, 2.25, or 2.3mm			Call
60.	Spring and key kit					WT290-K
61.	1st gear	1994-96 Ram/Dakota 1997 Ram	43 tooth non-world class	4741286	12543819	18471
		1997-1999 Dakota 4x4 2000-2004 Dakota All 1998-2004 Ram	43 tooth, World class, 33325	4874355AB	88934834 12549337	290-12C
		1997-99 Dakota 4x2	40 tooth, World class, 20980	4874354, 4796806		Call
62.	1st gear needle bearing		18795	4741871	12548230	Call
63.	Mainshaft	1994-96 Ram/Dakota 4x2 1997 Ram 4x2	non-world class, 23-3/4" long	4762051		Call
		1997 Dakota 4x2	world class, w/speedo, 290-2U	4874301		Call
		1998-2004 Ram/Dakota 4x2	world class, w/o-speedo, 290-2W	5003288AA		Call
		1994-96 Dakota 4x4	non-world class, 15-5/16" long	4762052		Call
		1997-2004 Dakota 4x4	world class	4874309		Call
		1994-97 Ram 4x4	non-world class, 17" long	4762053		Call
		1998-2004 Ram 4x4	world class	5003289AA		Call
64.	Reverse gear needle bearing			4741871	8680486 23049697	Call
65.	Reverse gear		38 tooth, 18604, 33331	4741284AB 5019029AA	12473978 88934825	290-36
66.	Reverse gear seal		18773		12547174 12382827	Call
67.	Reverse synchronizer ring			4741285	23049723	18291
68.	5/R Synchronizer assembly		w/seal in reverse gear, w/o snap ring groove, synchronized reverse	4741278AB	88934828	Call
69.	5/R Synchronizer sleeve					290-15
70.	5/R Synchronizer snap ring					Call
71.	5th Synchronizer ring			4741277		290-14
72.	5th gear needle bearing			4741273	12545775	Call
73.	5th gear	1994-96 Ram/Dakota 2000-04 Ram/Dakota	24 tooth, seal style, 18584, 30277	4883300AB 4741275, 4762045	88934833 12545776	290-18A
		1997-99 Ram/Dakota	34 tooth	4874361		Call
74.	5th gear seal				12547144	Call
75.	Rear mainshaft bearing retainer	1994-2004 Ram/Dakota 4x2	Threaded holes	4741116	8672266	Call
		1994-2004 Ram/Dakota 4x4	Drilled holes	4741114	8672265	Call
76.	Rear mainshaft bearing			4741866AB	88996720	573305D

\*\*\* Call for availability on items that do not have a ZBAG part number listed \*\*\*

## Dodge NV3500 - 1994-2004 Dodge R1500/R2500/Dakota

Item #	Description	Application	Notes	Dodge Part#	GM Part#	ZBAG Part#
77.	Rear mainshaft snap ring			4741266	23049936	Call
78.	Reverse idler front snap ring			4741311	23049746	Call
79.	Reverse idler thrust washer			4741307	12545787	Call
80.	Reverse idler gear		24 tooth, 1.38 wide, 30mm shaft	4741306 5066651AA	12545784	Call
81.	Reverse idler gear needle bearing			4874359, 4741305	12547410	Call
82.	Reverse idler gear shaft			4741303	12545781	Call
83.	Reverse idler gear retainer			4741312	12545789	Call
84.	Reverse idler gear check ball		4mm	4741891	14080547 4741891	Call
85.	Reverse idler rear thrust washer wave spring			4741309	12545785	Call
86.	Reverse idler rear thrust washer			4741307	12545786	Call
87.	Reverse idler rear snap ring			4741311	12545788	Call
88.	Reverse idler rear thrust washer			4741310	12545787	Call
89.	Counter shaft bearing		1.18" id	4740900 5066646AA 5015948AA	FC68336	FC67063
90.	Counter shaft	1994-96 Ram/Dakota 2000-04 Ram/Dakota	34-28-22-14, 1.18" cluster bearing, no groove on 1/R gear 5LM60-8A	4741299	12545780	290-8BR
		1997-99 Ram 1997-99 Dakota 4x4	46-37-22-14-52, 1.18" cluster bearings, no groove on 1/R gear	4874310		290-8FR
		1997-99 Dakota 4x2	46-37-22-14-52, use 290-8FR, may also have to change 1st gear	4874308		Call
Not Listed	Bearing kits	<b>Application</b>			<b>w/o Blockers</b>	<b>w/Blockers</b>
		1994-96 Ram/Dakota 1997 Ram	1 piece 1st-2nd gear synchronizer rings		BK235C	BK235CWS
		1997 Dakota 1998-04 Ram/Dakota	3 piece 1st-2nd gear synchronizer rings		BK235C	BK235GWS



\*\*\* Call for availability on items that do not have a ZBAG part number listed \*\*\*